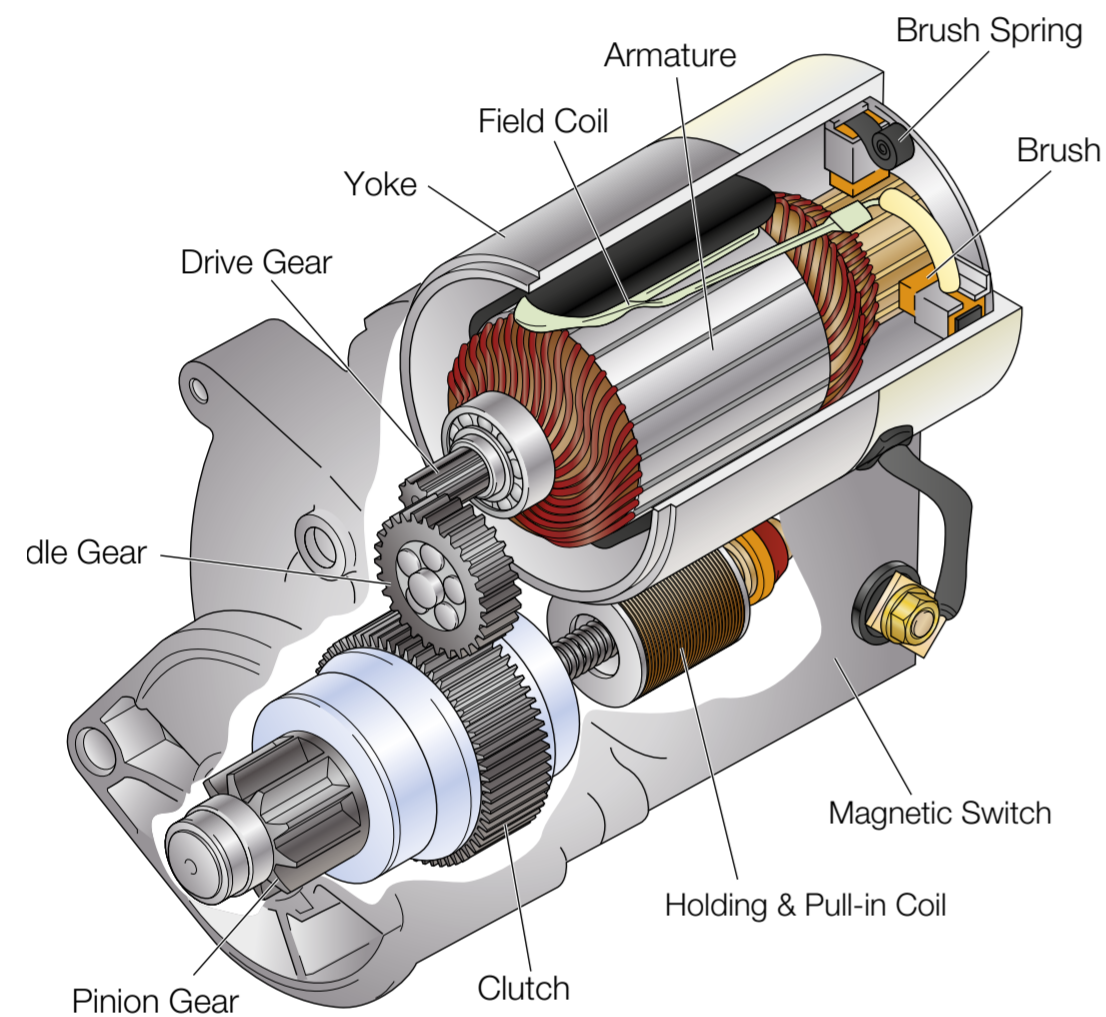
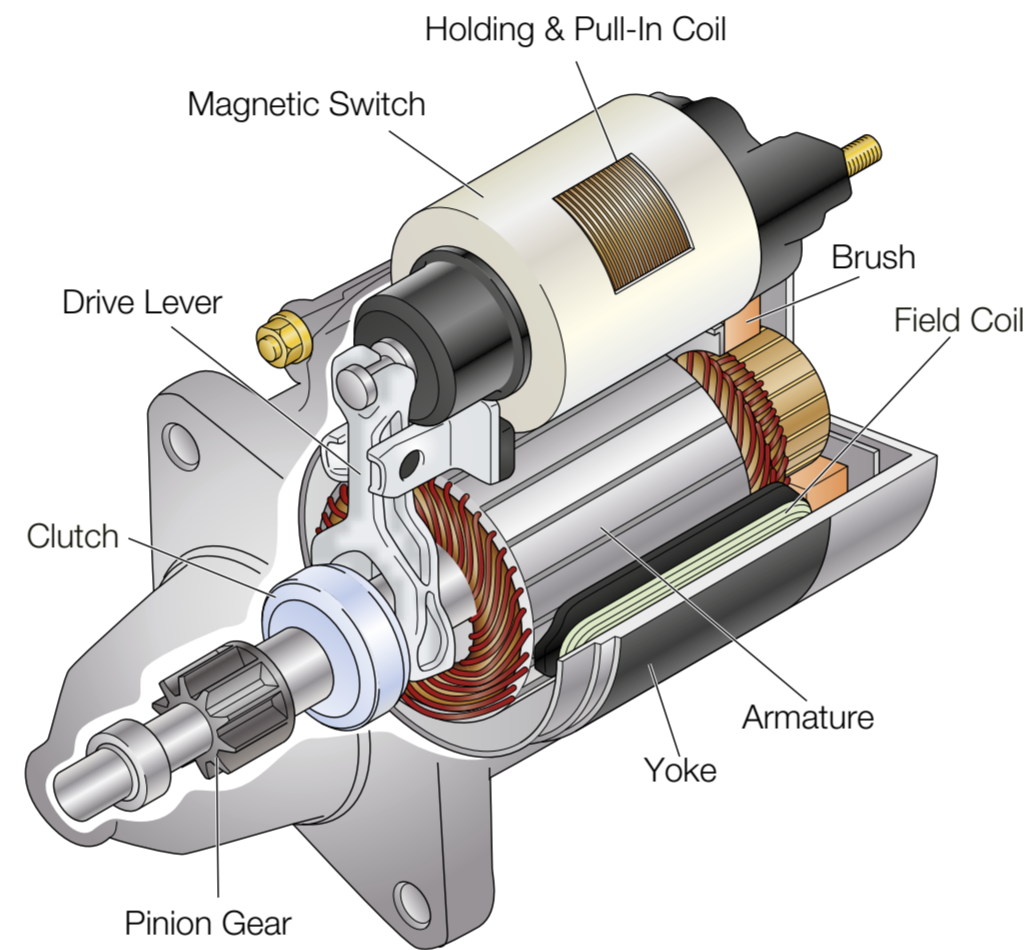


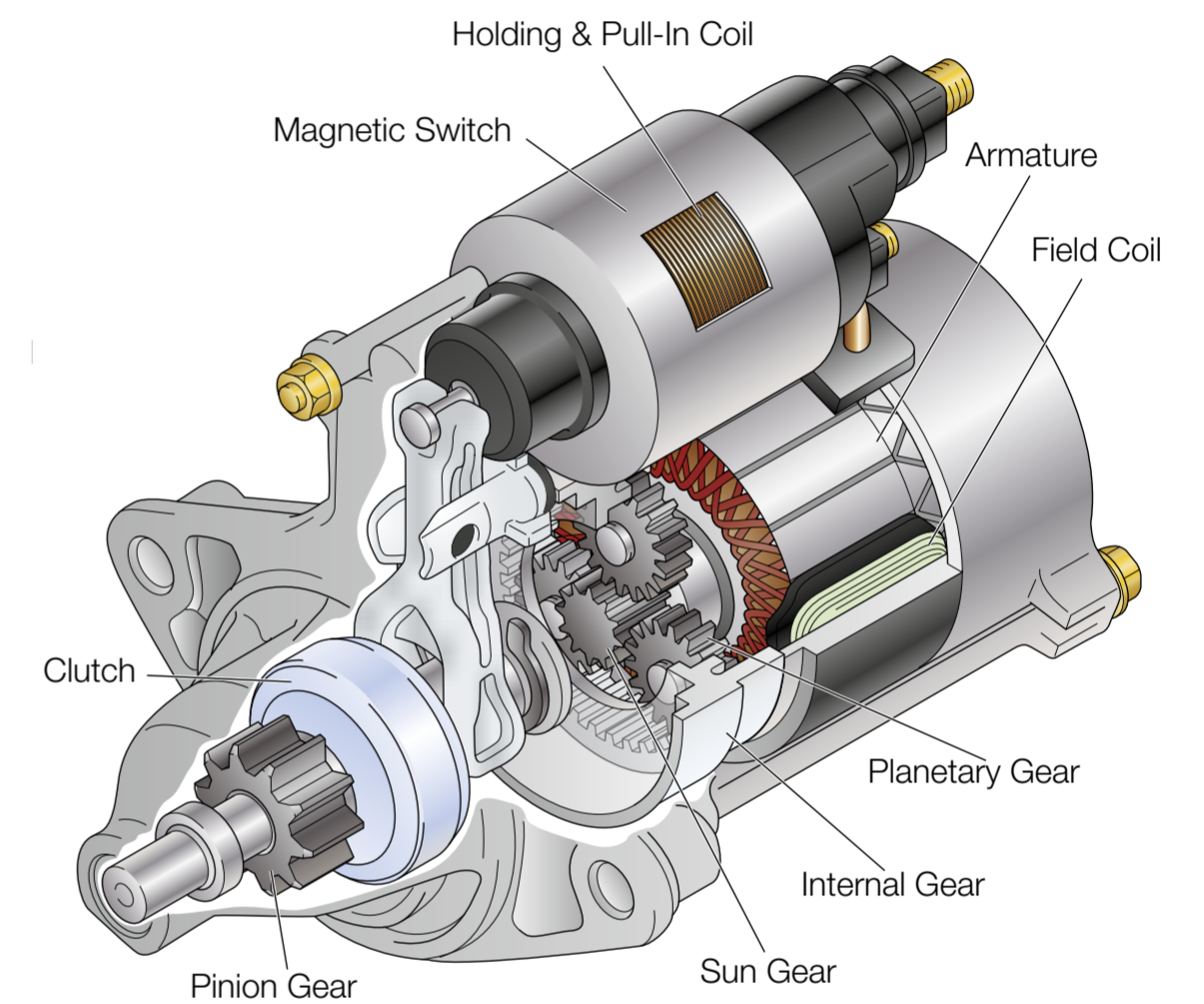
R,RA Types Starter



GA Type Starter



P,PA Types Starter



Starter Type	Product outline
R,RA Types (Reduction Method)	The R and RA type starters use a compact high-speed motor that is decelerate by 1/3 to 1/4 to drive the pinion gear.
GA Type (Pinion Shift Method)	In the GA type starter, the force of the magnetic switch (via the drive lever) pushes the pinion gear outwards to engage the engine ring gear.
P,PA Types (Planetary Method)	The P and PA type starters use the same type of compact high-speed motor as the reduction type, but use a planetary gear as the deceleration mechanism.

FEATURE OF THE PRODUCT

